

## MUX Series

### DESCRIPTION

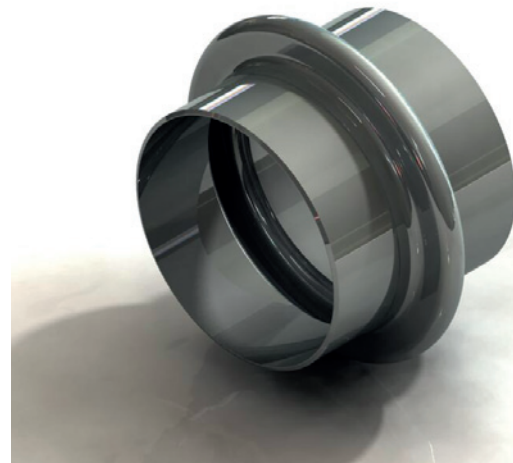
These expansion joints are characterized by a high convolution profile and thick ply construction.

They can be manufactured in circular, oval or any particular shape.

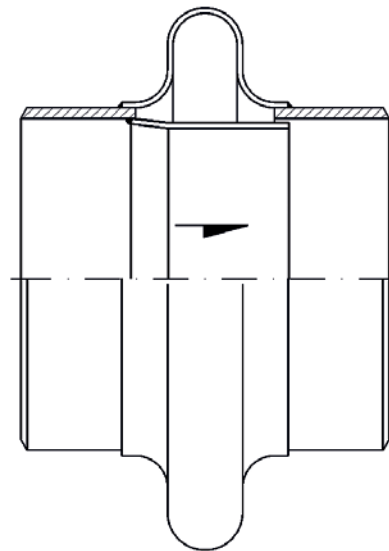
MUX expansion joints are frequently used in heat exchangers, furnace and blast furnace pipe work.

### FEATURES

- Sizes from DN-250 up to DN-8000.
- Single layer in thick material.
- No Circumferential welding at the root and crest.  
Materials: Austenitic Stainless Steels (304, 321, 316, 316L, 310, 309, etc.) Nickel Alloys (Inconel, Incoloy, Hastelloy, etc.) and Carbon Steel (P265GH, 16Mo3, 13CrMo 44, etc.)
- Convolution height up to 90 mm.
- One or more convolutions.
- Supplied with flanged or welded ends or bellows element only.

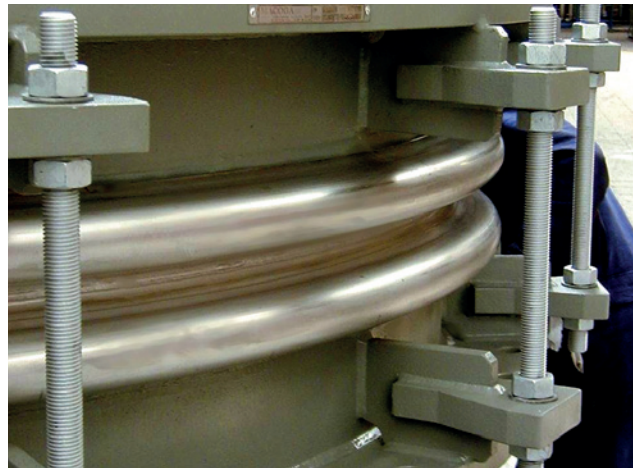


MUX  
High convolution profile and thick ply construction.



TYPE	SERIES	PRESSURE THRUST RESTRAIN	MOVEMENTS		
			AXIAL	LATERAL	ANGULAR
MUX	MUX	YES	YES	SINGLE-PLANE	SINGLE-PLANE
				MULTI-PLANE	MULTI-PLANE
				YES*	YES*
				YES*	YES*

\* Limited use



**MACOGA**  
ENGINEERED EXPANSION JOINTS

LEIRA. S/N. 15680 ORDENES. LA CORUÑA, SPAIN. TEL: (+34) 981 68 00 00. FAX: (+34) 981 68 02 38  
WWW.MACOGA.COM E-MAIL: macoga@macoga.com